

□ **P4L-105C**

□ **P4L-105SS**



## ***Single Handle Kitchen Faucet***

# **Product Spec Sheet**



### **FEATURES & BENEFITS**

- This Product Contains Less Than 0.25% Weighted Average Lead Content On Wetted Surfaces
- Metal Lever Handle
- Washerless Cartridge
- Max Flow Rate 1.5 GPM (5.7L/Min) At 60 PSI (ASME A112.18.1/A112.18.1)

P4L-105C  
Chrome Finish

P4L-105SS  
Stainless Steel Finish

### **Approvals:**

Meets or Exceeds The Following:

- \* ASME A112.18.1/CSA B125.1
- \* NSF/ANSI 61
- \* NSF/ANSI 372
- \* IAPMO/cUPC
- \* CA AB1953
- \* ADA Compliant
- \* NSF/ANSI/CAN 61:  $Q \leq 1$



**TEL:** 855-806-0688

**FAX:** 845-350-4043

Visit Our Web Site : [www.plumb4orce.com](http://www.plumb4orce.com)

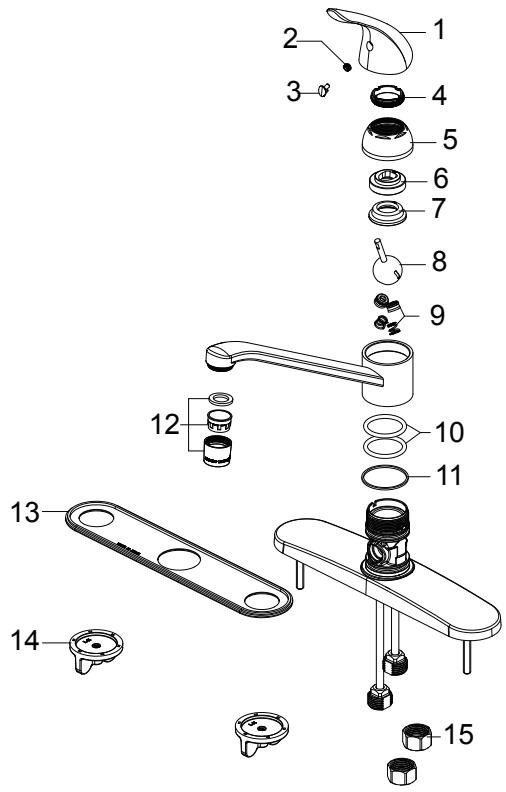
□ **P4L-105C**

□ **P4L-105SS**

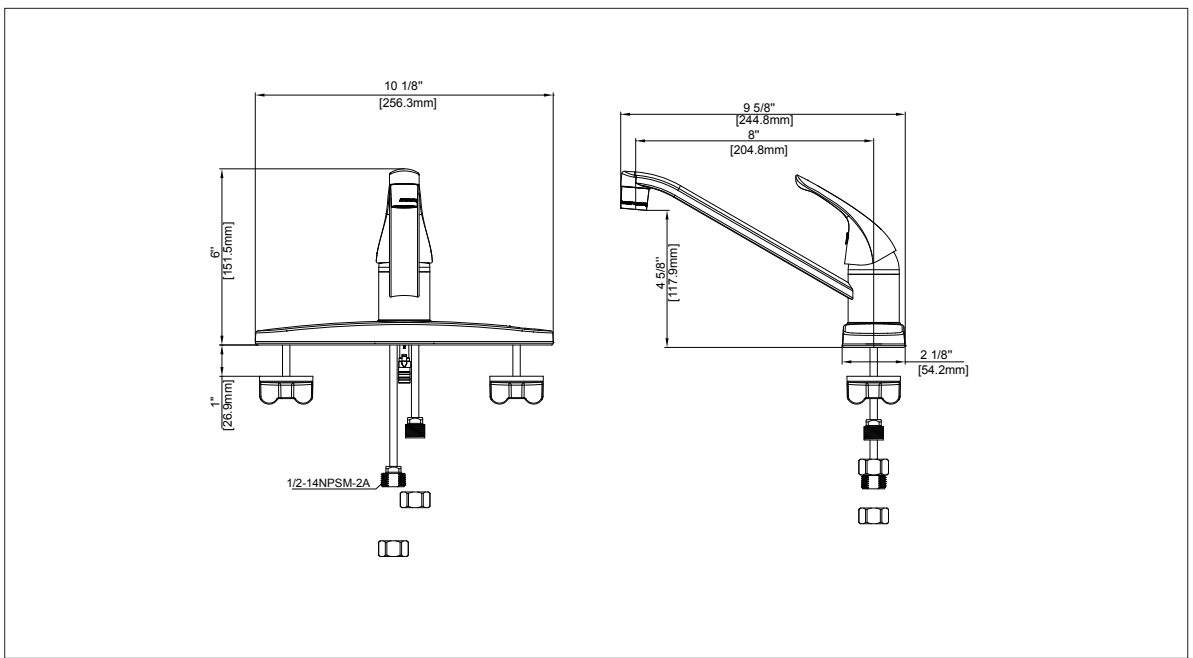


# Single Handle Kitchen Faucet

No.	Name	Part No.
1	Handle / Llave	RP13764*
2	Set screw / Tornillo de fijación	RP50226
3	Index / Índice	RP10048
4	Bonnet / Bonete	RP70371
5	Cap / Tapa	RP80756*
6	Cam / Leva	RP70107
7	Cam washer / Arandela de leva	RP70108
8	Mixer ball / Bola de la mezcladora	RP22007
9	Seat & Spring / Base y resorte	RP22008
10	O-ring / A rotórico	RP60138
11	Washer / Arandela	RP70832
12	Aerator / Aireador	RP30067*
13	Gasket / Junta	RP70330
14	Mounting nut / Tuerca de montaje	RP56019
15	Coupling nut / Tuerca de acoplamiento	RP56002



\* Specify Finish  
\* Especifique el Acabado



**Product Spec Sheet**

TEL: 855-806-0688 FAX: 845-350-4043

Visit Our Web Site : [www.plumb4orce.com](http://www.plumb4orce.com)